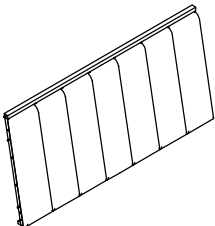
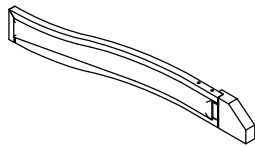
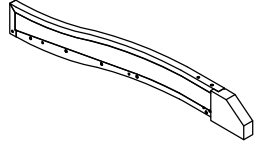
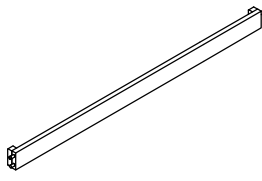
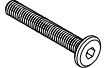



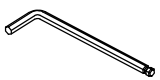


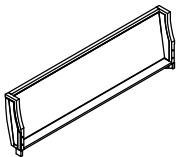

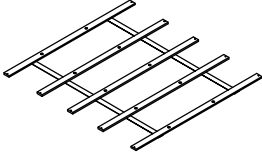

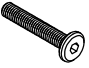


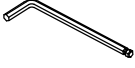

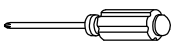
Warning :

- Be sure to check all packing material carefully for small parts, which may have come loose inside the carton during shipment.
- To prevent possible scratches and damage, this furniture **MUST BE ASSEMBLED BY TWO PEOPLE** on a soft surface such as a blanket or carpet.

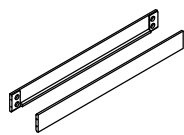

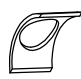


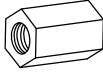

Hardware and Parts packed with the Headboard

<p>82580 --King Uph Headboard</p>  <p>(H-A) 1 pc.</p>	<p>Headboard Post (Left)</p>  <p>(H-B) 1 pc.</p>	<p>Headboard Post (Right)</p>  <p>(H-C) 1 pc.</p>	<p>Headboard Stretcher</p>  <p>(H-D) 1 pc.</p>	
<p>Allen Head Bolt Ø5/16"-18 x 1-3/4"</p>  <p>(H-E) 2 pcs.</p>	<p>Allen Head Bolt Ø5/16"-18 x 2-3/4"</p>  <p>(H-F) 8 pcs.</p>	<p>Spring Washer Ø5/16"</p>  <p>(H-G) 10 pcs.</p>	<p>Flat Washer Ø5/16" x Ø19mm</p>  <p>(H-H) 10 pcs.</p>	<p>Allen key 5mm</p>  <p>(H-I) 1 pc.</p>

Hardware and Parts packed with the Footboard

<p>82581 King Uph Footboard</p>  <p>(F-A) 1 pc.</p>	<p>Footboard Leg 7" x 2-1/2" x 2-1/2"</p>  <p>(F-B) 2 pcs.</p>	<p>Wood Slats 77-1/2" long</p>  <p>(F-C) 5 pcs.</p>	<p>Support Leg 6-1/2" x 1-1/4" x 1-1/4"</p>  <p>(F-D) 10 pcs.</p>	<p>Allen Head Bolt Ø5/16"-18 x 2-1/4"</p>  <p>(F-E) 4 pcs.</p>
<p>Spring Washer Ø5/16"</p>  <p>(F-F) 4 pcs.</p>	<p>Flat Washer Ø5/16" x 19*2mm</p>  <p>(F-G) 4 pcs.</p>	<p>Allen Key 5 mm</p>  <p>(F-H) 1 pc.</p>	<p>Wood Screw #8 x 1"</p>  <p>(F-I) 10 pcs.</p>	<p>Screw Driver not included</p> 

Hardware and Parts packed with the Bed Rails

<p>Bed Rails 82572</p>  <p>(R-A) 2 pcs.</p>	<p>All-Thread Bolt Ø5/16-18 x 3-1/2"</p>  <p>(R-B) 8 pcs.</p>	<p>Curved Washer Ø5/16"</p>  <p>(R-C) 8 pcs.</p>	<p>Flat Washer Ø5/16" x 16*2mm</p>  <p>(R-D) 8 pcs.</p>	<p>Spring Washer Ø5/16"</p>  <p>(R-E) 8 pcs.</p>	<p>Hex Nut Ø5/16" x L17</p>  <p>(R-F) 8 pcs.</p>	<p>Open Wrench 13mm</p>  <p>(R-G) 1 pc.</p>
--	--	---	--	--	---	--

King Bed

82580 -- 6/6 Uph Headboard

82581-- 6/6 Uph Footboard

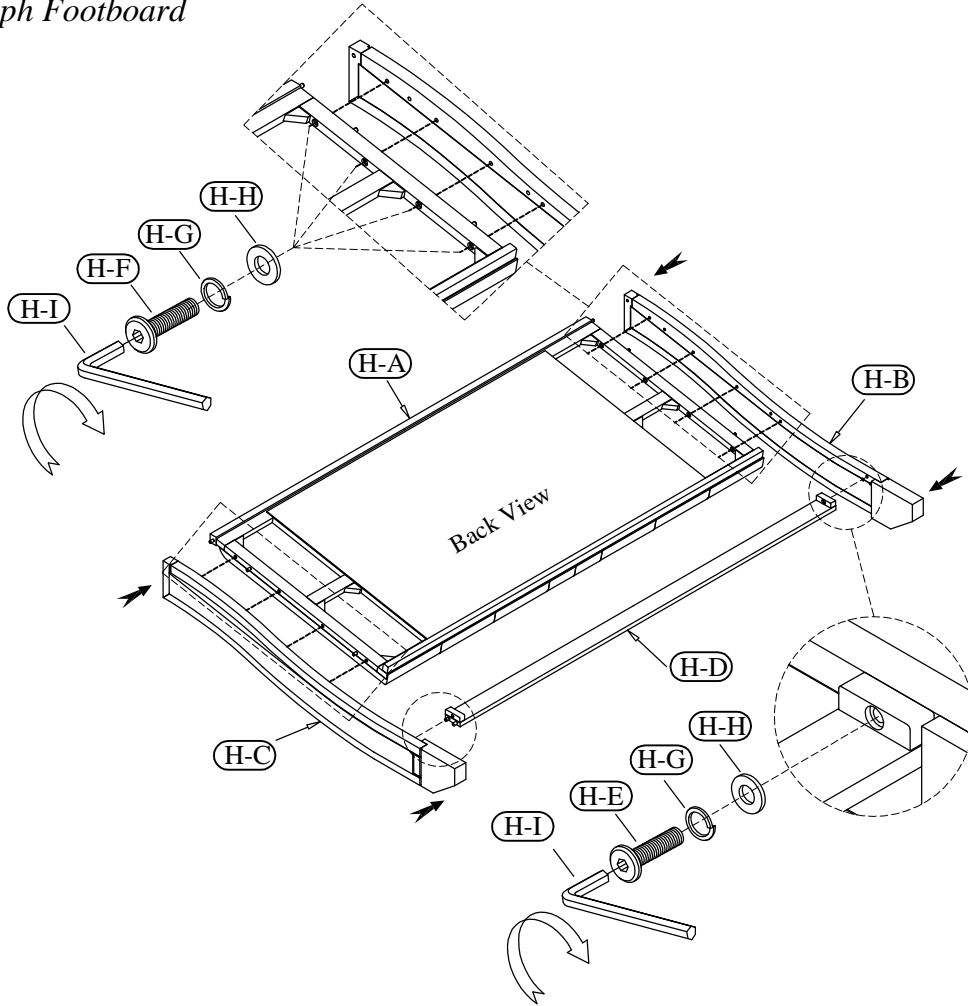
82572-- 5/0-6/6 Siderails

King Bed

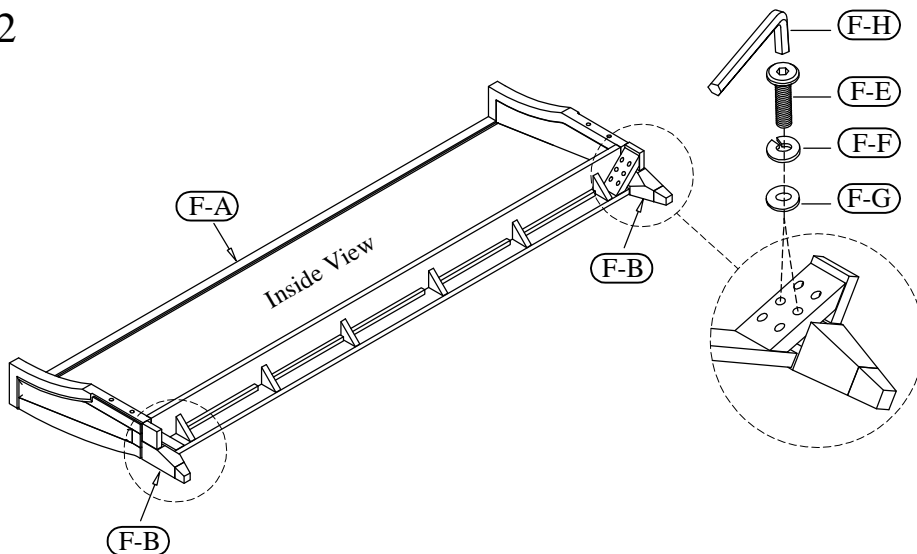
82580 -- 6/6 Uph Headboard

82581 -- 6/6 Uph Footboard

STEP 1



STEP 2

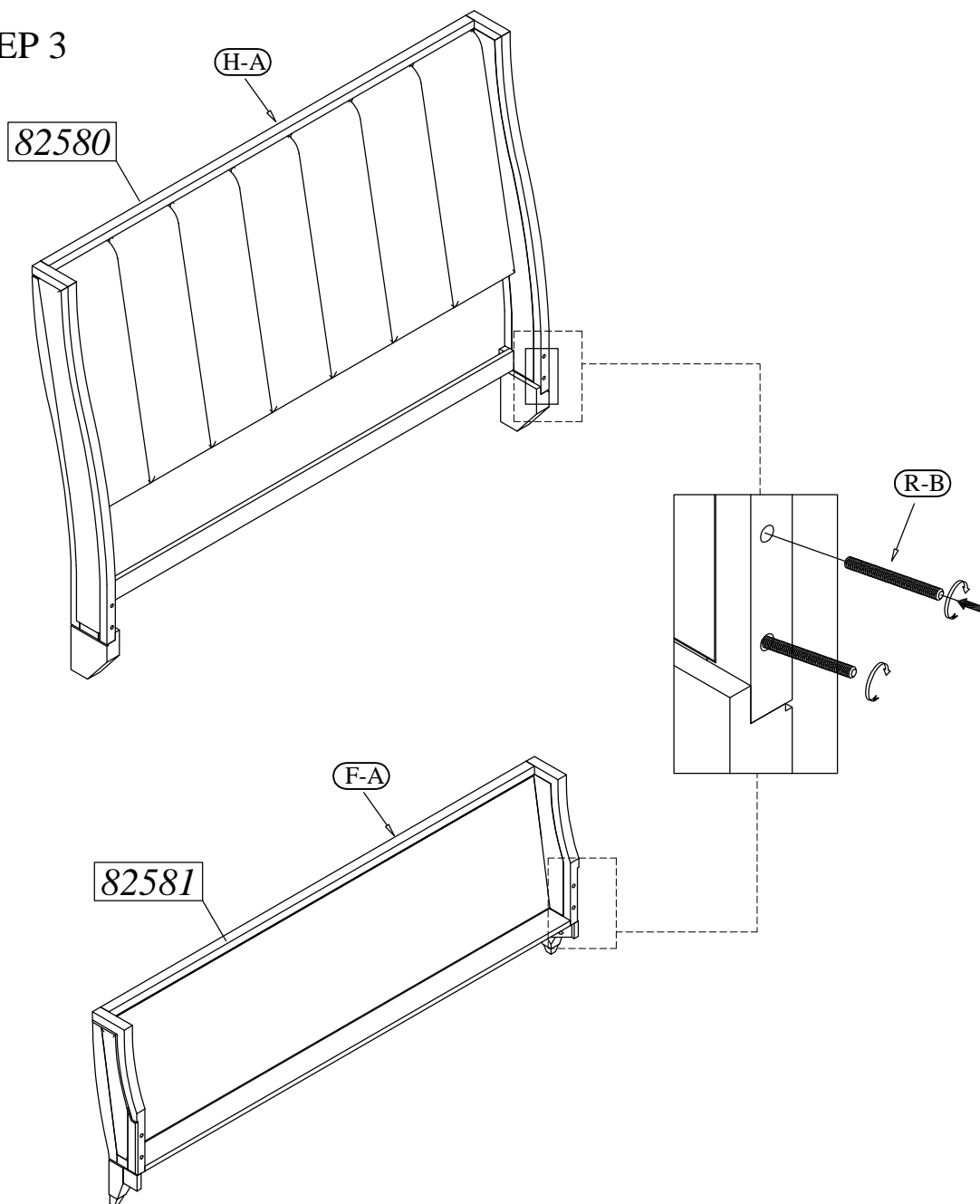


King Bed

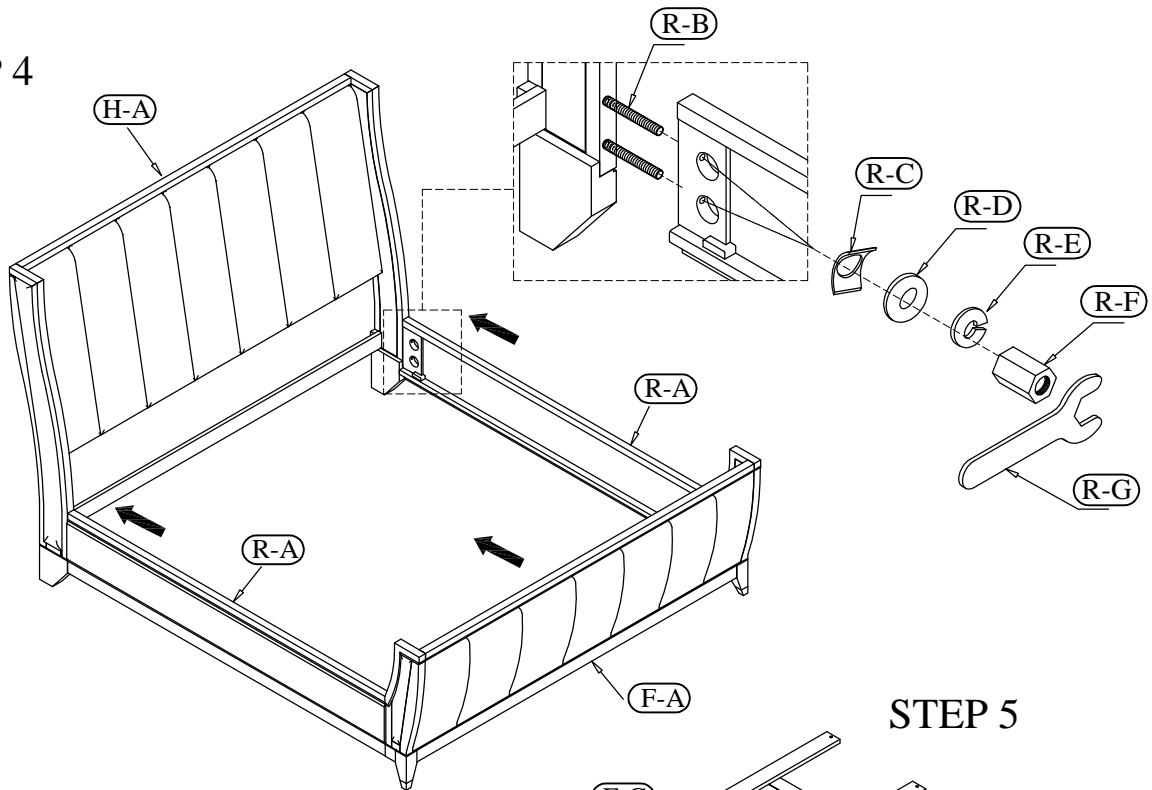
82580 -- 6/6 Uph Headboard

82581 -- 6/6 Uph Footboard

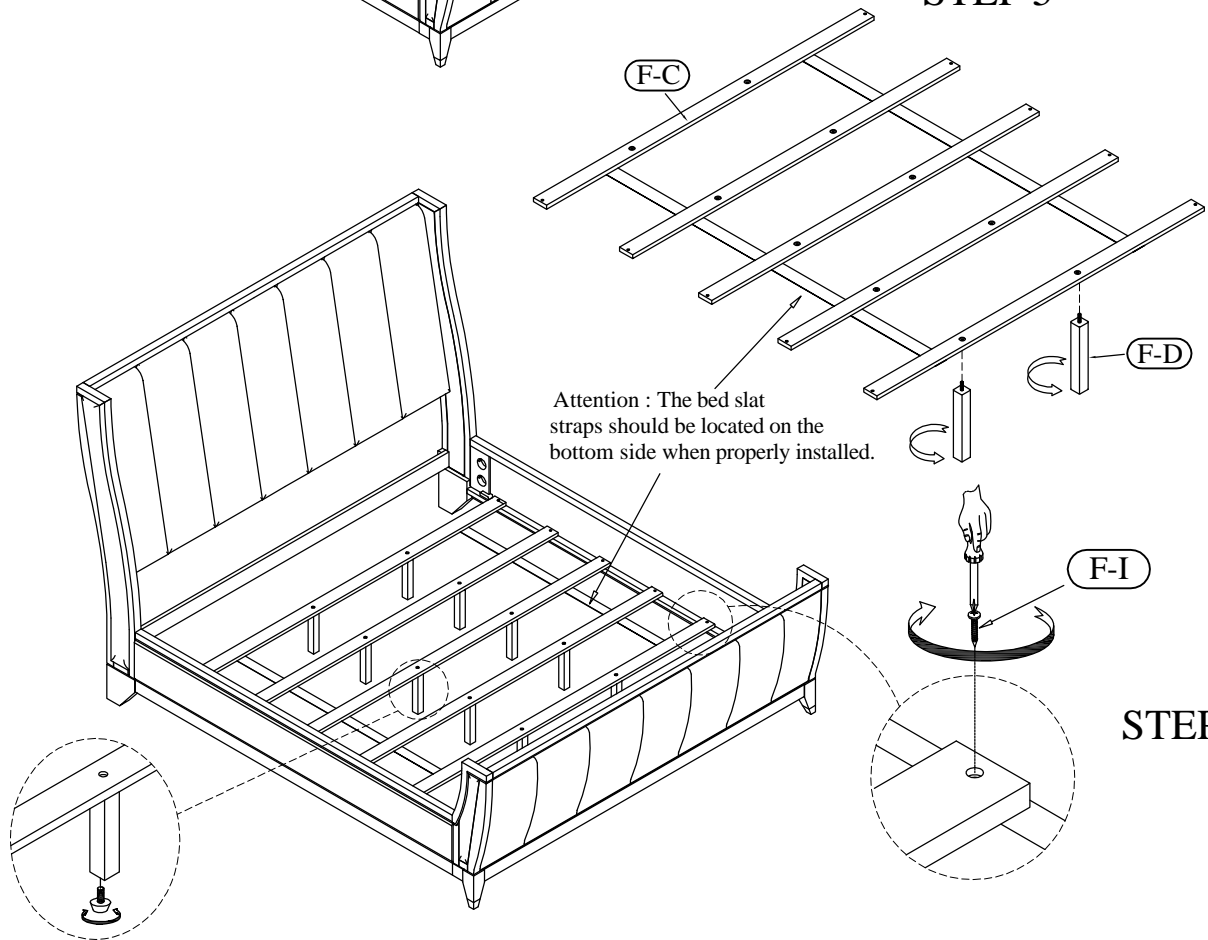
STEP 3



STEP 4



STEP 5



STEP 6

Adjustable Leveler